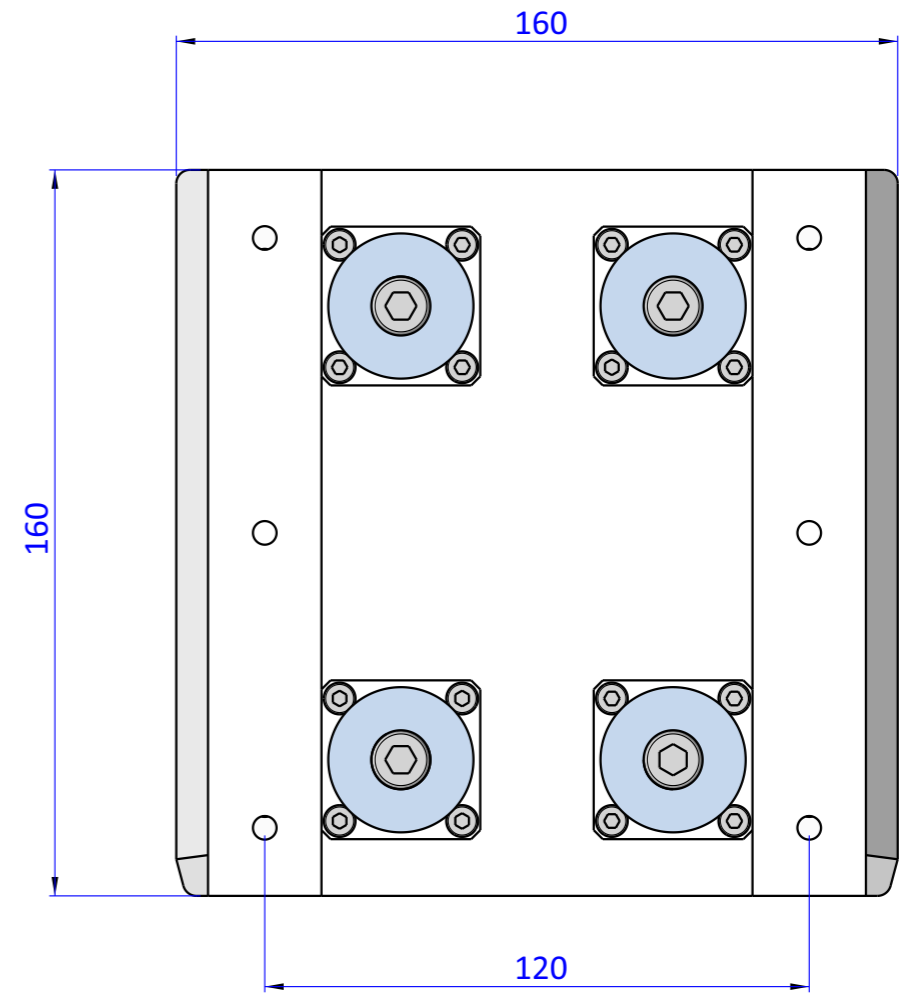
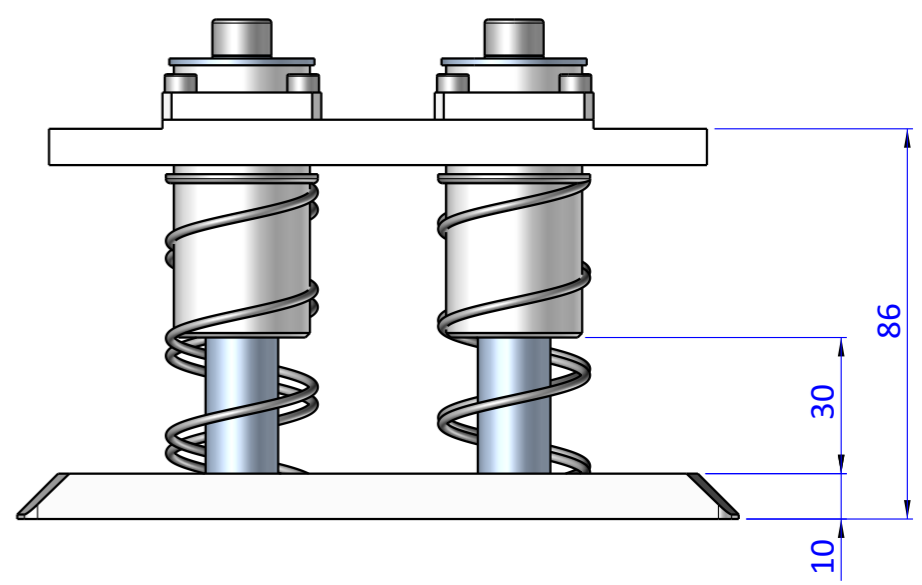
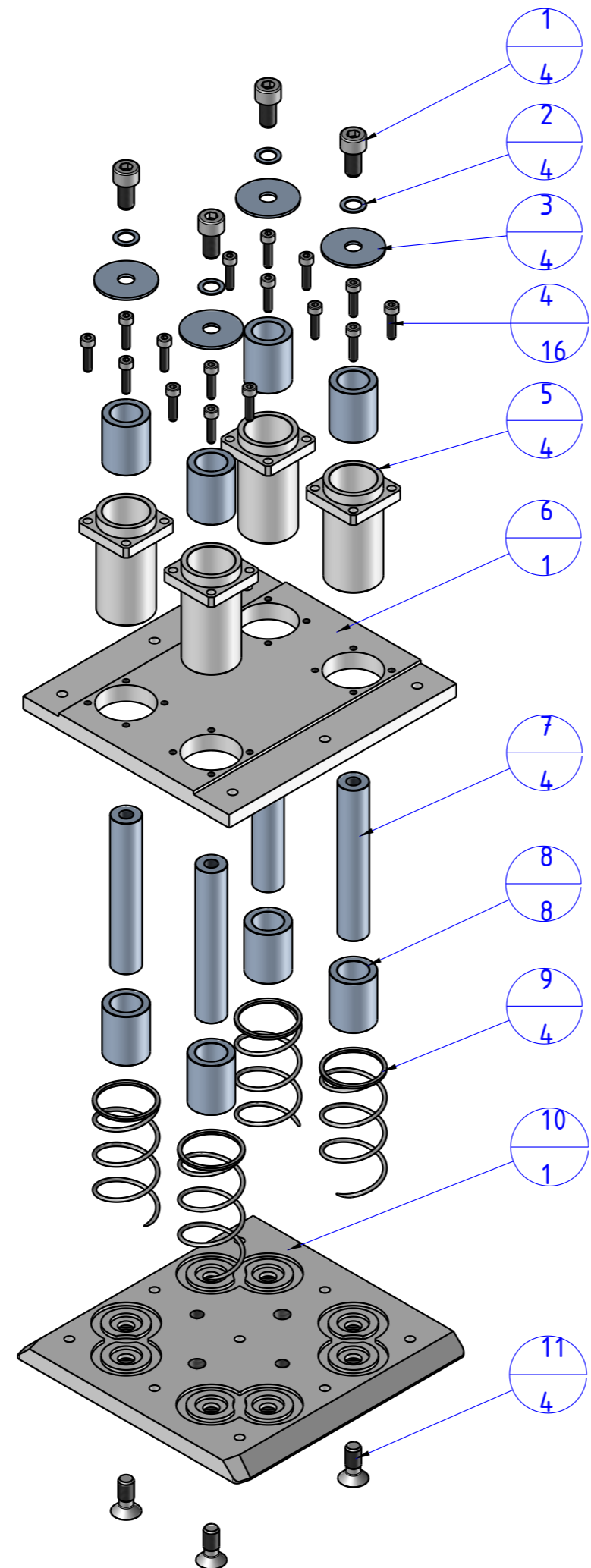



THE PROPERTY OF THE DRAWING IS ESTABLISHED BY LAW. IT IS FORBIDDEN TO PRODUCE OR SHOW IT TO THIRD PART. WITHOUT A WRITTEN AGREEMENT.

Item	Name	Qty.
1	V.TCE8x16	4
2	R.8.SCH	4
3	R.8.L	4
4	V.TCE4x16	16
5	GPG.2.1	4
6	GPG.2.5	1
7	GPG.2.2	4
8	MAN.KH16PP	8
9	M.33x120.35N	4
10	GPG.2.4	1
11	V.TSP8x20	4



Format A3
UNI 936-76

 FPS FPSERVICES AUTOMATION		DESIGNED FROM		REVIEW
		FPS Automation		A
GENERAL TOLERANCE		DATE	WEIGHT	
UNI - ISO 2768		08/01/2021	1,344kg	
CLASSE f		DESCRIPTION	CODE	
		CA.GPG.2	CA.GPG.2	